

# corvi

Corvi LED Light





# Pursuit of Efficiency

Dedicated to the pursuit of efficiency. A research and development major in the realm of LED lights, Corvi sees efficiency as a measure of creativity based on precision, determination & imagination. We consider technology to be a central extension of the human enterprise.

Our brand has its roots in an organization that has been developing high end technologies used for electronic studio flash lighting. This very precise need for light requires an intricate engineered technology. One has to blend two dimensions by understanding art and interpreting science in order to achieve results. The culmination of this knowledge gathered for more than fifty years now surfaces in the form of Corvi.

# CORVI

## Corvi LED Light

The Corvi logo imbues the infinite loop to remind us that the quest for knowledge is infinite. Reflecting the dialectical thought from the ancient vedic source that says, 'your soul encompasses the universe and the universe surrounds your soul.'

### Awards



reddot design award  
winner 2016

Flat | Tube series



Flat | Surface series



Tube series



reddot design award  
winner 2013

4 | 4S | Downlight 15



4S



Downlight 15

LED lights  
now with  
Lifetime Warranty



[corvi.com](http://corvi.com)





## Intelligent Efficiency

Efficiency can be a relative term. To be efficient simply does not mean better than what was, at Corvi it means achieving what can be.

That is why we constantly strive to bring technology that improves your life not in absolute terms but rather re-invents and re-defines itself around your living conditions. That is why we like to call it intelligent efficiency.





## Efficiency by Design

### Inbuilt Driver

Every Corvi product comes with an inbuilt driver. A substantial design element that provides for spatial efficiency, giving the final product a compact and sleek appearance.

### Industrialized Design

The design is highly industrialized in order to achieve standardization, ensuring that every product conforms to stringent quality standards at a value price.





#### Dimmable

Every Corvi product carries dimming function as a standard feature. It allows you to save energy and gives you the facility to choose a light ambience suiting your mood.

#### Dimension

Corvi has the highest lumen per area / volume ratio. An indicator of our commitment to efficiency, helping us deliver a strong value proposition.



# Eco Efficiency

## Energy

Harnessing the potentials of LED technology, Corvi provides necessary design required to achieve optimum efficiency, saving up to 90% in energy cost.



### Minimalist

Our approach towards minimalism is sincere. Though challenging, it helps one to save important resources that are extracted from nature & thereby contribute to sustainability.

### Copper

Corvi products are energy efficient, as a result the diameter of the copper required for electrical wiring can be reduced up to 66%. This will result in huge savings in the consumption of copper, which is a costly and rare resource.



# True Efficiency

When everything is relative, parameters allow us to gain real measures. Corvi champions the true efficiency campaign. Efficiency is measurable, it is a ratio of work to energy expended. In the case of lighting product true efficiency is a measure of the lumens achieved per watt.

## Life

With 50 years life expectancy, our products are designed to retain a high lumens flux. Conceived to withstand time but not at the cost of efficiency and output. The actual usable life will extend much further at the rated 70% capacity.





#### **Maintenance**

Self contained design provides for zero operational maintenance. High quality input through selection of raw material and components ensures problem free operation through out the product life cycle.

#### **Lifetime Warranty**

A lifetime warranty is standard with all our products.



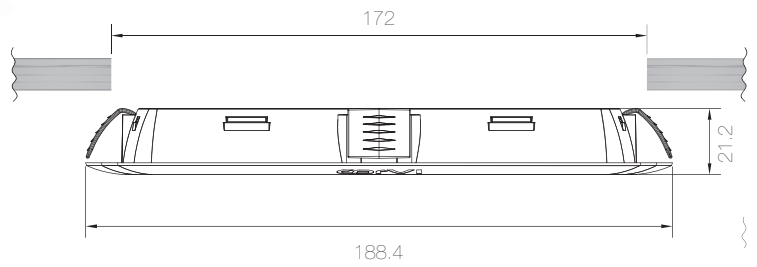
6S





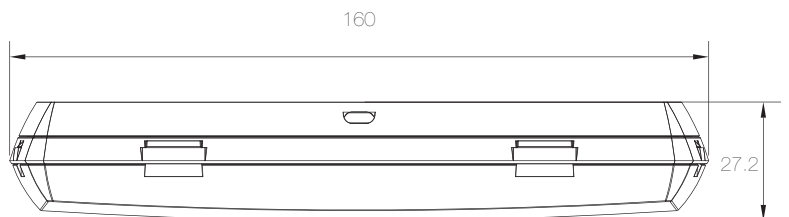
- 2250 lumens\*
- 15 Watt
- 200 ~ 240V
- 150 gm
- CRI > 80
- Colour Temperature 3000K 4000K 5700K

Flat 6S



- 2250 lumens\*
- 15 Watt
- 200 ~ 240V
- 140 gm
- CRI > 80
- Colour Temperature 3000K 4000K 5700K

Surface 6S



Flat





900 lumens\*

6 Watt

200 ~ 240V

Flat 4 - 51 gm / 4Q - 53 gm

CRI > 80

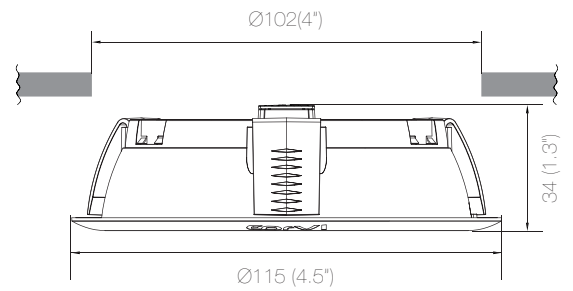
Colour Temperature

3000K

4000K

5700K

Flat 4



Flat 4Q



red dot design award  
winner 2016





2250 lumens\*

15 Watt

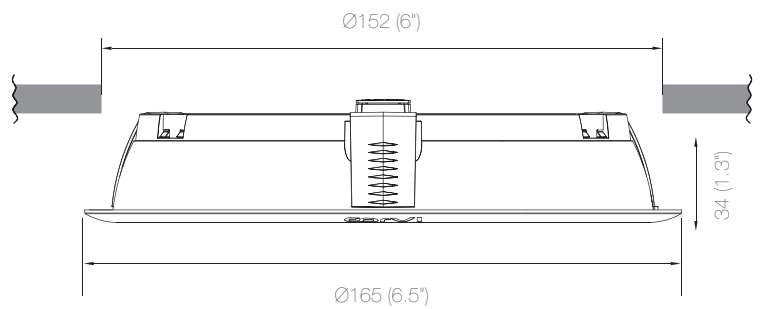
200 ~ 240V

Flat 6 - 107 gm / 6Q - 115 gm

CRI > 80

Colour Temperature **3000K** **4000K** 5700K

Flat 6



Flat 6Q



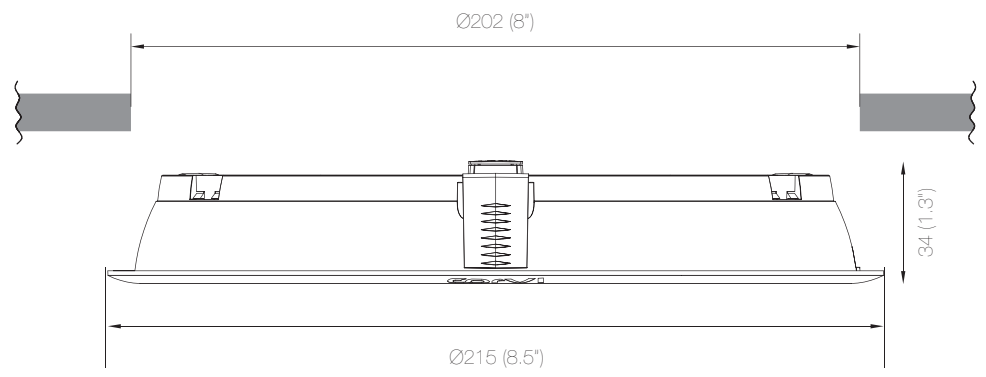
red dot design award  
winner 2016





- 3000 lumens\*
- 20 Watt
- 200 ~ 240V
- Flat 8 - 203 gm / 8Q - 214 gm
- CRI > 80
- Colour Temperature 3000K 4000K 5700K

Flat 8



Flat 8Q



reddot design award  
winner 2016







900 lumens\*

6 Watt

200 ~ 240V

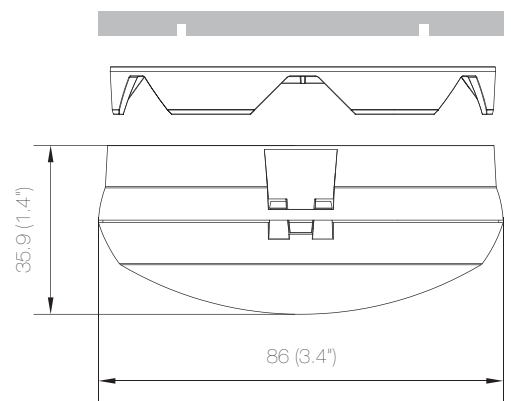
48 gm

CRI > 80

Colour Temperature 3000K 4000K 5700K



Surface 4





2250 lumens\*

15 Watt

200 ~ 240V

97 gm

CRI > 80

Colour Temperature

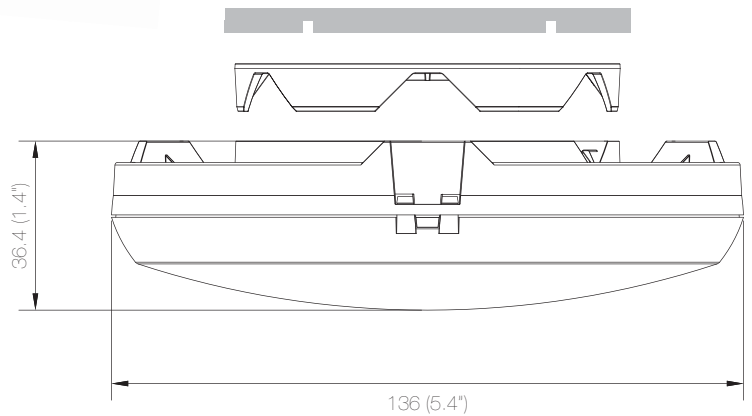
3000K

4000K

5700K



Surface 6



3000 lumens\*

20 Watt

200 ~ 240V

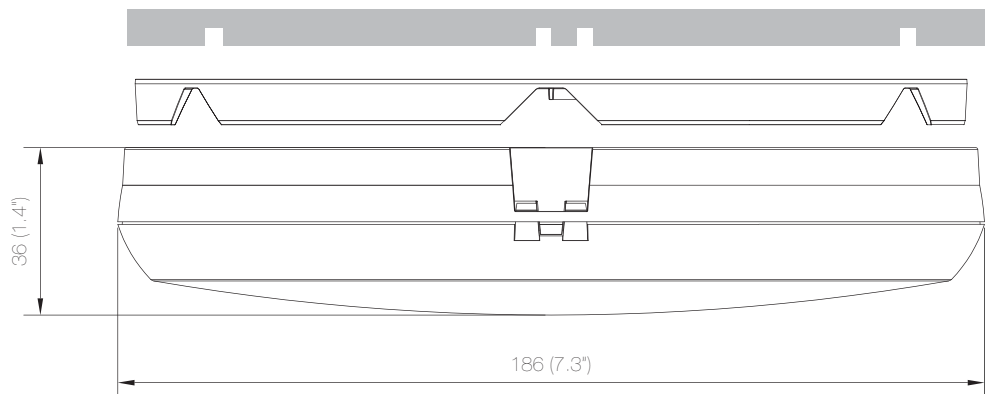
210 gm

CRI > 80

Colour Temperature 3000K 4000K 5700K

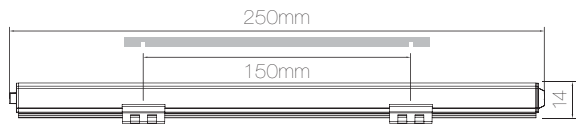


## Surface 8





T1 900 lumens\* | 6 Watt | 27 gm.



200 ~ 240V

CRI > 80

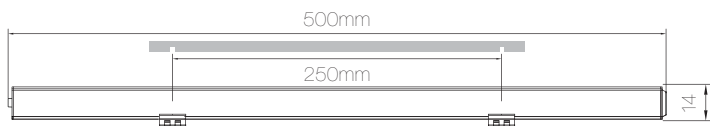
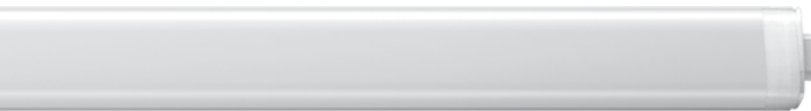
Colour Temperature 3000K 4000K 5700K



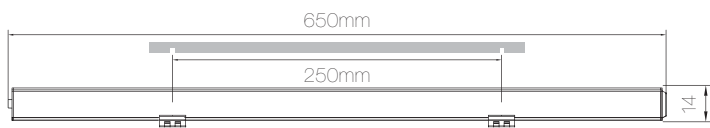
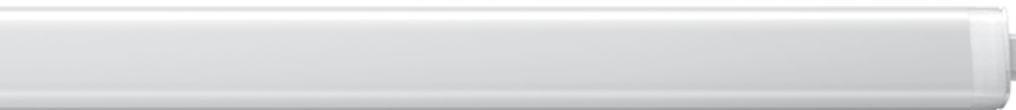
reddot design award  
winner 2016



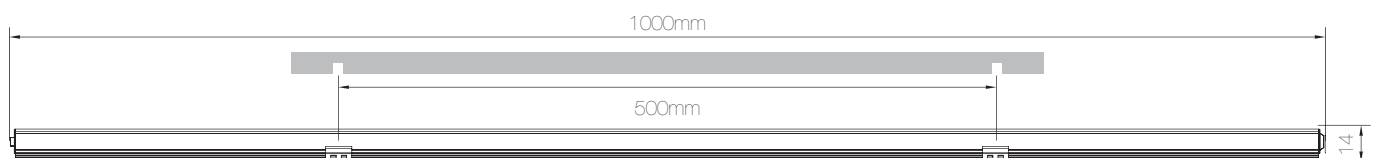
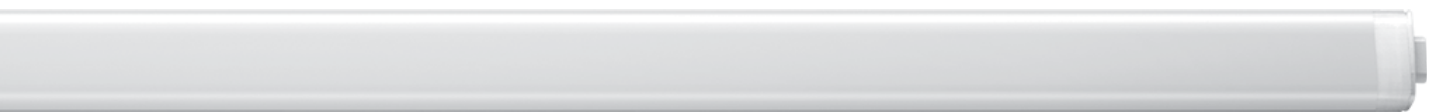
T2 1800 lumens\* | 12 Watt | 52 gm



Tube 2250 lumens\* | 15 Watt | 73 gm



T4 3000 lumens\* | 20 Watt | 90 gm



Spot





reddot design award  
winner 2013



4

750 lumens\*

5 Watt

200 ~ 240V

80 gm

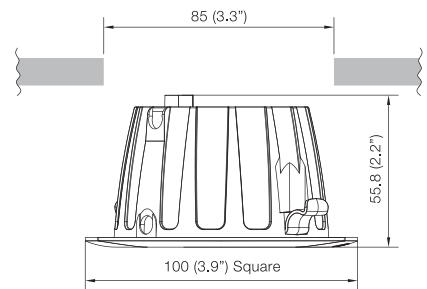
Beam angle: 30°

CRI > 80

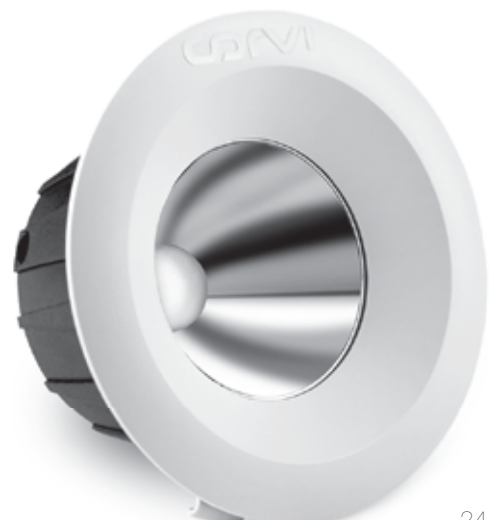
Colour Temperature **3000K** 4000K 5700K



4Q



4QR



4R



2 x 2



5400 lumens\*

36 Watt

200 ~ 240V

1.8 kg

CRI > 80

Colour Temperature

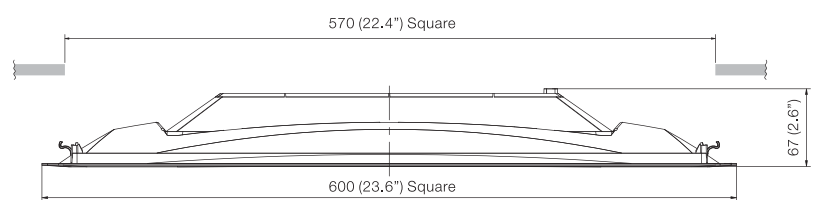
3000K

4000K

5700K



2x2





# Technical Details

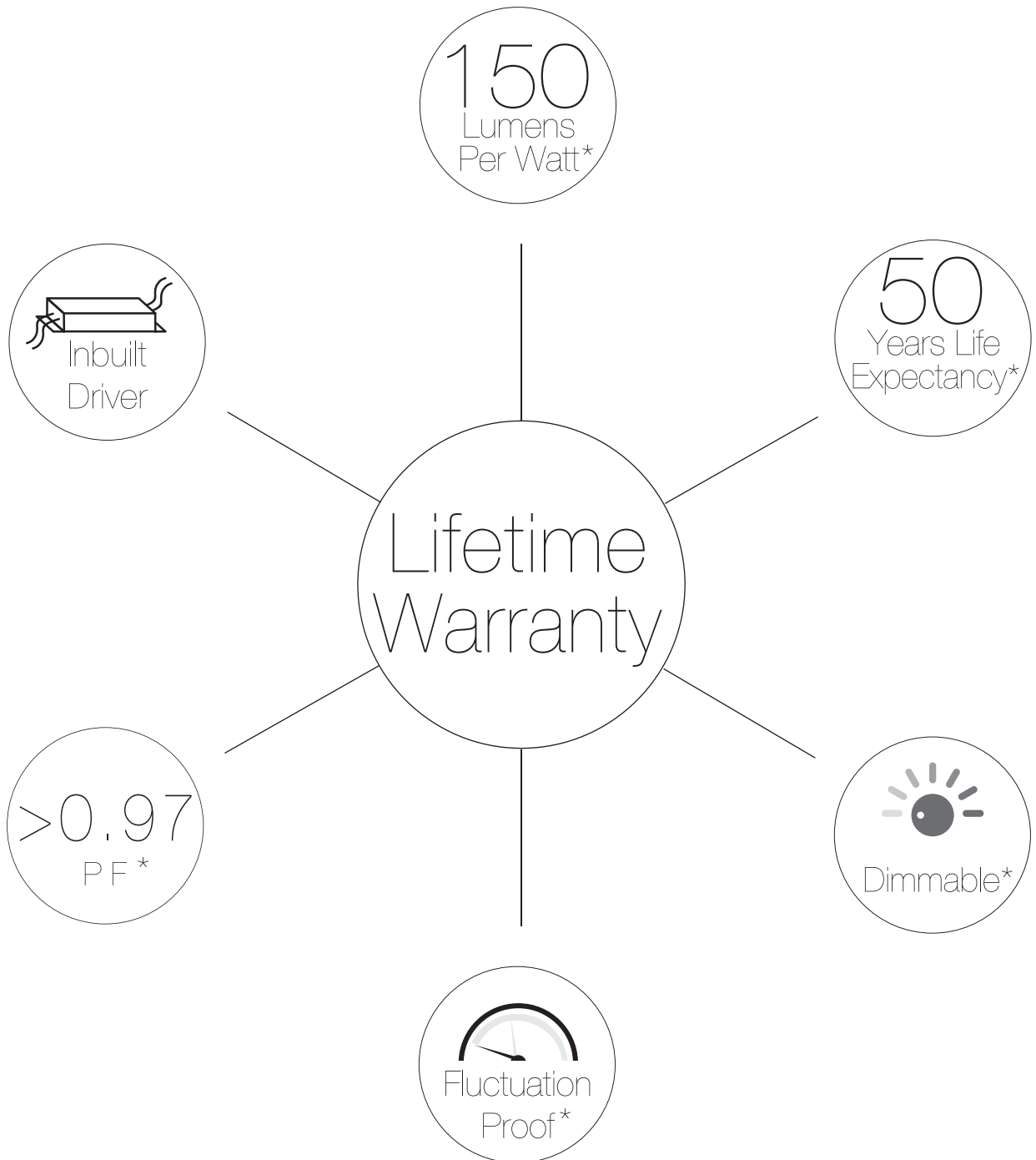
Model	Wattage	Light Output (Lumens*)	Dimension (mm)	Weight	Ceiling Mount	Input Voltage	Beam Angle			
Flat 6S	15	2250	188.4 x 188.4 x 21.2	150 gm	Fixed	200 ~ 240V 50 Hz	-			
Surface 6S			160 x 160 x 27.2	140 gm						
Flat 4	6	900	Ø115 x 34	51 gm						
Flat 4Q			115 x 115 x 34	53 gm						
Flat 6	15	2250	Ø165 x 34	107 gm						
Flat 6Q			165 x 165 x 34	115 gm						
Flat 8	20	3000	Ø215 x 34	203 gm						
Flat 8Q			215 x 215 x 34	214 gm						
Surface 4	6	900	Ø86 x 36	48 gm						
Surface 6	15	1350	Ø136 x 36	97 gm						
Surface 8	20	1800	Ø186 x 36	210 gm						
Tube 1	6	900	14 x 19 x 250	27 gm						
Tube 2	12	1800	14 x 19 x 500	52 gm						
Tube	15	2250	14 x 19 x 650	73 gm						
Tube 4	20	3000	14 x 19 x 1000	90 gm						
Spot 4	5	750	Ø100 x 53	80 gm						30°
Spot 4R										
Spot 4Q										
Spot 4QR										
2 x 2	36	5400	600 x 600 x 62	1.8 kg					-	

CRI > 80

Colour Temperature 3000K 4000K 5700K

\*Kindly note - Tube 15 Watt is non dimmable

# Standard Features



#BecauseLightIsForEveryone